


PRODUCT SHEET

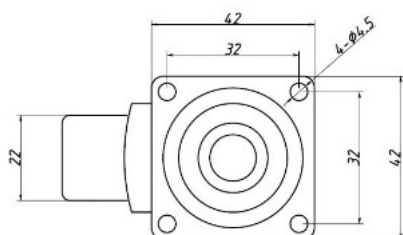
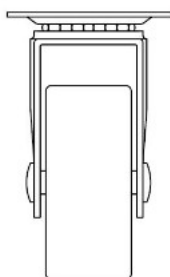
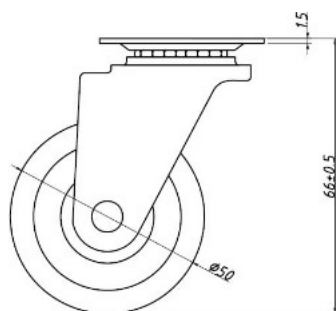
Description:

Fork Castor "Caesar" $\varnothing 50$ mm, Grey PU Tyre, W/Top Plate 42x42 mm, cc:32x32mm, $\varnothing 4,8$ mm Screw Holes, All Metal Zinc Plated, , Mounthing Height:66mm, Dynamic Load Capacity 35kg,, Static: 60kg

Item number:

08.12.230-1

Units	Box	Carton	HS Code	Barcode
Pcs.	40	120	8302200090	 5704866486088



SISO A/S

Mileparken 11
DK-2740 Skovlunde
Denmark
VAT: 24786013

Phone +45 45 830 900

www.siso.dk
siso@siso.dk

Danske Bank
Nytovr Branch
Copenhagen
SWIFT: DABADKKK

Account no.
4180 3112 112936
IBAN Account
DK7230003112112936